

Hour counter

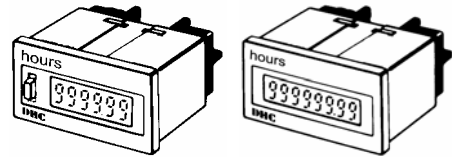
DHC3L

SELF-POWERED COUNTER

DHC3L

Subminiature Hour Meter Requires No
External Power Supply

- DIN-sized 48×24mm
- Improved noise immunity
- Screw terminal types



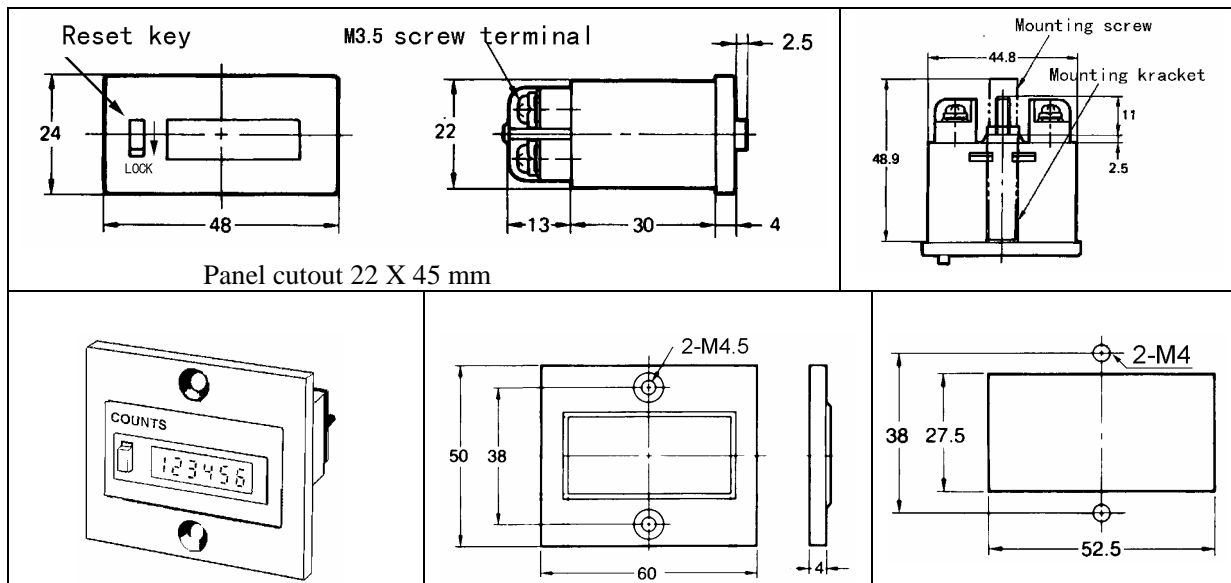
AVAILABLE TYPE

DHC3L-1	99999.9h	DHC3L-4	9999d23h
DHC3L-2	99h59m59s	DHC3L-5	9999h59m59s
DHC3L-3	9999h59m	DHC3L-6	999999h59m

SPECIFICATIONS

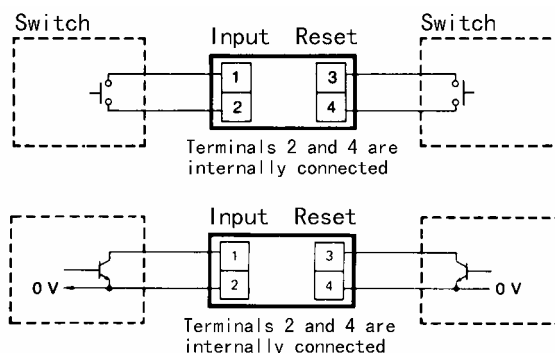
● Supply voltage:	Driven by built-in battery	● Display :	6.7mm LCD
● Input signal:	Relay or switch contact Transistor input	● Weight:	Approx60g
● Reset system :	External reset and manual reset	● Operating temperature	-10~40°C
● No voltage Input signal:	Short-circuit impedance:10K Ω max Open impedance:500k Ω min Short-circuit residual voltage 0.5v max	● Humidity	35%~85% RH
● Batter Life:	≥5 Years	● Reset signal	≥0.2 S
		● Accuracy:	≤0.002%

DIMENSIONS



CONNECTIONS

DHC3L No voltage input type



NOTE:

- Keep the input wiring as short as possible
- This product contains a lithium battery. Do not dispose of the battery in a fire