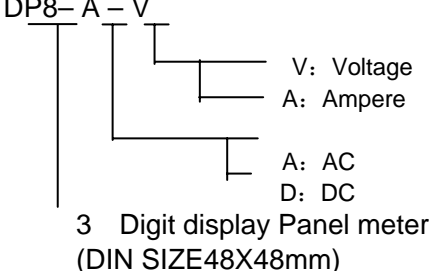


**DP8**

**3 DIGIT VOLTAGE , AMPERE METER**

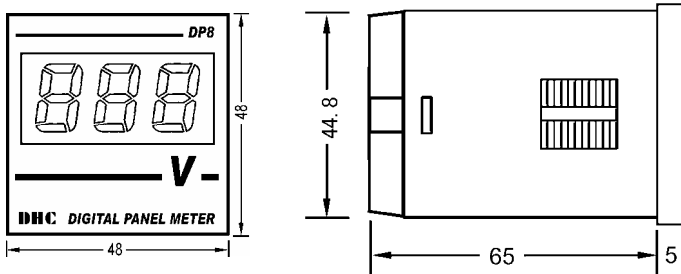
■ **ORDERING CODE**

<p>DP8-A-V</p>  <p>V: Voltage A: Ampere</p> <p>A: AC D: DC</p> <p>3 Digit display Panel meter (DIN SIZE 48X48mm)</p>	<p><b>DP8-A-A (A) I/P:5.00A</b></p> <table border="1"> <tr> <td>1000A</td> <td>100.0A</td> <td>10.00A</td> </tr> <tr> <td>500A</td> <td>50.0A</td> <td>5.00A</td> </tr> <tr> <td>300A</td> <td>30.0A</td> <td></td> </tr> </table>	1000A	100.0A	10.00A	500A	50.0A	5.00A	300A	30.0A							
1000A	100.0A	10.00A														
500A	50.0A	5.00A														
300A	30.0A															
<p><b>AC DIGIT VOITMETER:</b> Direct Input: AC 600V, 100.0V, 10.00V, PT Input: It according to customer's offers</p> <p><b>AC DIGIT AMMETER:</b> CT Input(5A): 30A, 50A, 100A, 300A, 500A, 1000A</p> <p><b>Direct Input:5A</b></p> <p><b>DC DIGIT VOITMETER:</b> Direct Input: DC 500V, 100.0V, 10.00V,</p> <p><b>DC DIGIT AMMETER:</b> CT Input(75mV): 30A, 50A, 100A, 300A, 500A, 1000A</p>	<p><b>DP8-A-V (V)</b></p> <table border="1"> <tr> <td>600V</td> <td>100.0V</td> <td>10.00V</td> </tr> </table> <p><b>DP8-D-A (A) (I/P:75mV)</b></p> <table border="1"> <tr> <td>1000A</td> <td>100.0A</td> <td>10.00A</td> </tr> <tr> <td>500A</td> <td>50.0A</td> <td>5.00A</td> </tr> <tr> <td>300A</td> <td>30.0A</td> <td></td> </tr> </table> <p><b>DP8-D-V (V)</b></p> <table border="1"> <tr> <td>500V</td> <td>100.0V</td> <td>10.00V</td> </tr> </table>	600V	100.0V	10.00V	1000A	100.0A	10.00A	500A	50.0A	5.00A	300A	30.0A		500V	100.0V	10.00V
600V	100.0V	10.00V														
1000A	100.0A	10.00A														
500A	50.0A	5.00A														
300A	30.0A															
500V	100.0V	10.00V														

■ **SPECIFICATION**

- Power Supply: AC/DC 100~240V
- Accuracy: 0.5%FS±1Digit
- Operating temperature: 0~50°C <85%RH
- Power consumption: ≤4VA
- Display: LED Red
- Weight: 260g
- Panel cutout: 33×68.5 mm

■ **DIMENSIONS**



■ **CONNECTIONS**

