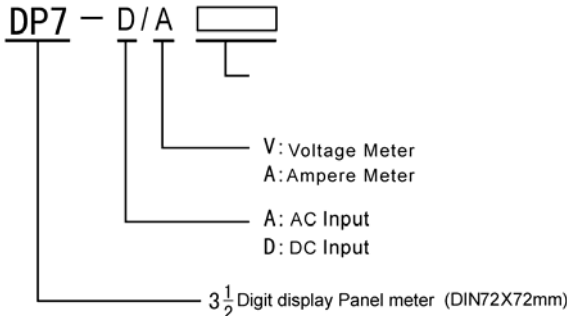


DP7	3 1/2 DIGIT VOLTAGE , AMPERE METER
------------	---

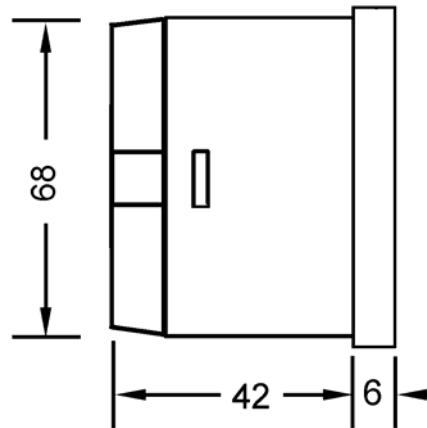
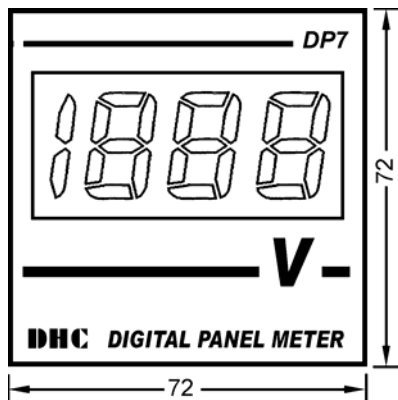
- DIN-size (72H x72W mm) ,
- 0.8Inch LED Display.
- Dual slope A/D conversion, high anti-interference.
- Measurement precision, performance reliable.

■ **ORDERING CODE**

 <p style="font-size: small;">V: Voltage Meter A: Ampere Meter A: AC Input D: DC Input</p> <p style="font-size: x-small;">3 1/2 Digit display Panel meter (DIN72X72mm)</p>	<p>AC DIGIT VOLTMETER Direct Input: AC 600V, 199.9V, 19.99V, 1.999V PT Input: It according to customer's offers</p> <p>AC DIGIT AMMETER: CT Input(5A): 10A,15A,20A,50A,100A,150A, 200A,500A,1000A,500A 2000A Direct Input: 5A</p> <p>DC DIGIT VOLTMETER: Direct Input: DC 600V, 199.9V, 19.99V, 1.999V</p> <p>DC DIGIT AMMETER: CT Input(75mV): 5A,10A,15A,20A,50A,100A,150A, 200A,500A,1000A,500A 2000A</p>																											
<p>DP7-A (A)</p> <table border="1" style="width: 100%; border-collapse: collapse; font-size: x-small;"> <tr> <td style="text-align: center;">1 2 3 4 5 6 7</td> <td style="text-align: center;">1 2 3 4 5 6 7</td> <td style="text-align: center;">1 2 3 4 5 6 7</td> </tr> <tr> <td style="text-align: center;">5.00A</td> <td style="text-align: center;">50.0A</td> <td style="text-align: center;">500A</td> </tr> <tr> <td style="text-align: center;">ON OFF</td> <td style="text-align: center;">ON OFF</td> <td style="text-align: center;">ON OFF</td> </tr> <tr> <td style="text-align: center;">10.00A</td> <td style="text-align: center;">100.0A</td> <td style="text-align: center;">1000A</td> </tr> <tr> <td style="text-align: center;">ON OFF</td> <td style="text-align: center;">ON OFF</td> <td style="text-align: center;">ON OFF</td> </tr> <tr> <td style="text-align: center;">15.00A</td> <td style="text-align: center;">150.0A</td> <td style="text-align: center;">1500A</td> </tr> <tr> <td style="text-align: center;">ON OFF</td> <td style="text-align: center;">ON OFF</td> <td style="text-align: center;">ON OFF</td> </tr> <tr> <td style="text-align: center;">20.00A</td> <td style="text-align: center;">200.0A</td> <td style="text-align: center;">2000A</td> </tr> <tr> <td style="text-align: center;">ON OFF</td> <td style="text-align: center;">ON OFF</td> <td style="text-align: center;">ON OFF</td> </tr> </table>	1 2 3 4 5 6 7	1 2 3 4 5 6 7	1 2 3 4 5 6 7	5.00A	50.0A	500A	ON OFF	ON OFF	ON OFF	10.00A	100.0A	1000A	ON OFF	ON OFF	ON OFF	15.00A	150.0A	1500A	ON OFF	ON OFF	ON OFF	20.00A	200.0A	2000A	ON OFF	ON OFF	ON OFF	
1 2 3 4 5 6 7	1 2 3 4 5 6 7	1 2 3 4 5 6 7																										
5.00A	50.0A	500A																										
ON OFF	ON OFF	ON OFF																										
10.00A	100.0A	1000A																										
ON OFF	ON OFF	ON OFF																										
15.00A	150.0A	1500A																										
ON OFF	ON OFF	ON OFF																										
20.00A	200.0A	2000A																										
ON OFF	ON OFF	ON OFF																										
<p>DP7-V (V)</p> <table border="1" style="width: 100%; border-collapse: collapse; font-size: x-small;"> <tr> <td style="text-align: center;">1 2 3 4 5 6 7</td> <td style="text-align: center;">1 2 3 4 5 6 7</td> </tr> <tr> <td style="text-align: center;">600V</td> <td style="text-align: center;">199.9V</td> </tr> <tr> <td style="text-align: center;">ON OFF</td> <td style="text-align: center;">ON OFF</td> </tr> <tr> <td style="text-align: center;">19.99V</td> <td style="text-align: center;">1.999V</td> </tr> <tr> <td style="text-align: center;">ON OFF</td> <td style="text-align: center;">ON OFF</td> </tr> </table>	1 2 3 4 5 6 7	1 2 3 4 5 6 7	600V	199.9V	ON OFF	ON OFF	19.99V	1.999V	ON OFF	ON OFF																		
1 2 3 4 5 6 7	1 2 3 4 5 6 7																											
600V	199.9V																											
ON OFF	ON OFF																											
19.99V	1.999V																											
ON OFF	ON OFF																											

■ SPECIFICATION

- Power Supply: AC/DC 100~240V
- Accuracy: 0.5%FS±1Digit
- Display: LED Red
- Operating temperature: 0~50°C <85%RH
- Power consumption: ≤4VA
- Weight: 130g
- Panel cutout: 68×68 mm
- Input: AC DIGIT VOITMETER 600 (MAX700V)
AC DIGIT AMMETER: 5A

■ DIMENSISONS**■ CONNECTIONS**