

TIMER

DHST3P

SOLID-STATE TIMER

DHST3P

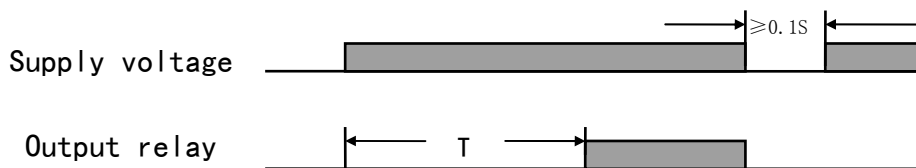
RANGE

	1	2	3	4
-A	0.1-0.5S	0.5-5S	2.5-30S	0.25-3min
-B	0.1-1S	1-10S	5-60S	0.5-6min
-C	0.5-5S	5-50S	0.5-5min	2.5-30min
-D	1-10s	10-100s	1-10min	5-60min
-E	5-60s	1-10min	5-60min	0.5-6h
-F	0.25-2min	2.5-20min	0.25-2h	1-12h
-G	0.5-4min	5-40min	0.5-4h	2-24h

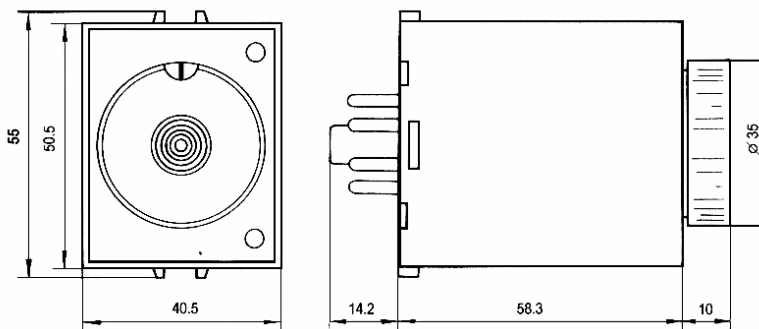
CHARACTERISTICS

- Supply voltage : AC 220V 50/60 Hz
- Operating voltage range : 175V—250V
- Setting error: $\leq \pm 5\%FS$
- Repeat error : $\leq \pm 1\%$
- Variation due to temperature change: $\pm 2\%$ max
- Resetting time : ≤ 0.1 second
- Contact: DHC2: 2c
- Control output: 3A AC 250V (Resistive)
- Weight : 100g
- Power consumption: $\leq 5.5VA$
- Humidity: 35to85%RH

OPERATION MODE



DIMENSIONS



CONNECTIONS

